

T-500



Pack Basic Thermostatic

Diverter: Manual
 Faucet type: Thermostatic
 Temperature selection

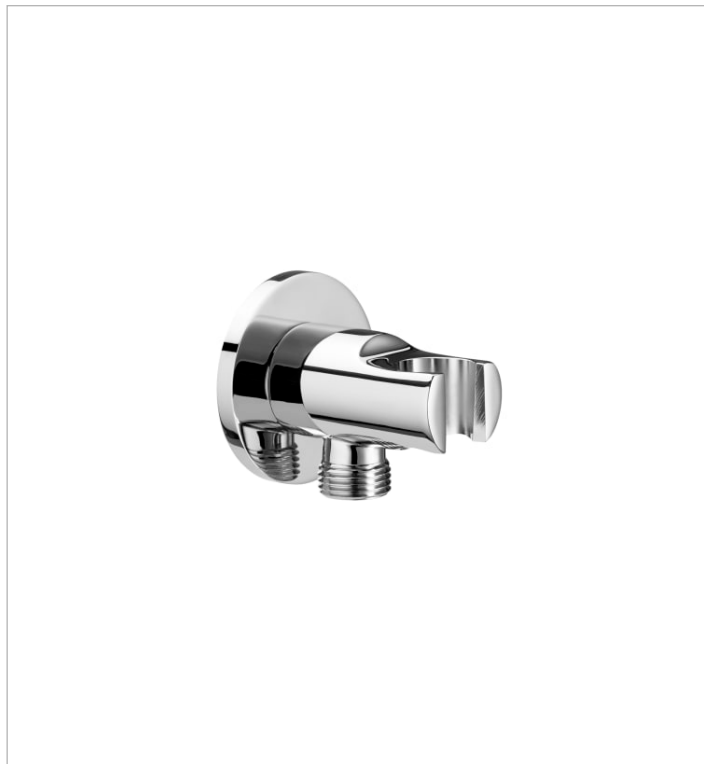


Includes

- 5B0250C00 Straight wall arm for shower head
- 5B1B03C00 100/3. Handshower with 3 functions: Rain, Tonic and Pulse
- 5B2716C00 1.70 m. anti-torsion metallic shower hose
- 5B5250C00 ROUND - 1/2" chromed water inlet for shower hose with integrated bracket for hand shower

The T-500 series offers you the benefits and functionalities that characterise thermostatic faucets: water and energy saving, safety and comfort.

T-500



Raindream

Straight wall arm for shower head



Premium range of extraslim metallic shower-heads for wall or ceiling installation. Its Easyclean system prevents limescale build up.

Dimensions

Length: 400 mm.

Width: 80 mm.

Height: 75 mm.

Optional

5A066E..0 Built-in bath-shower mixer with automatic diverter and 2 outlets

5A2K18C00 Built-in thermostatic bath-shower mixer (2 ways) with automatic diverter.

Includes the built-in subset and the trim plate

Compatible with

5B2450C00 Extraslim metallic shower head for ceiling or wall installation. Support kit / arm not included.

5B2550C00 Extraslim metallic shower head for ceiling or wall installation. Support kit / arm not included.

5B2650C00 Extraslim metallic shower head for ceiling or wall installation. Support kit / arm not included.

5B2750C00 Extraslim metallic shower head for ceiling or wall installation. Support kit / arm not included.

5B2850C00 Extraslim metallic shower head for ceiling or wall installation. Support kit / arm not included.

5B2250C00 Shower head for ceiling or wall installation. Support kit / arm not included.

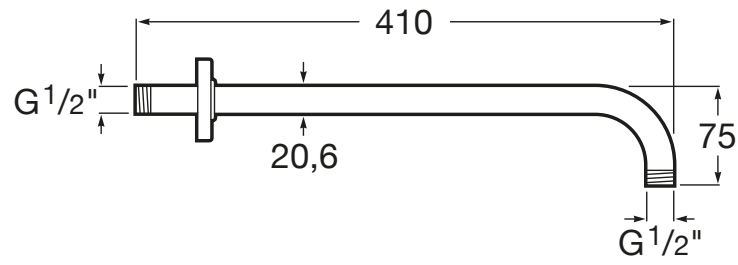
5B2350C00 Shower head for ceiling or wall installation. Support kit / arm not included.

5B2950C00 Metallic shower head for ceiling or wall installation. Support kit / arm not included.

5B3050C00 Shower head for ceiling or wall installation. Support kit / arm not included.

Raindream

Technical drawings



Stella



100/3. Handshower with 3 functions: Rain, Tonic and Pulse

Diameter (mm): 100
 Finish: Chrome
 Number of functions: 3
 Shape: Circular



Inspired by basic nature elements, this collection presents an aesthetic based on simple, pure and contemporary lines while offering a wide range of solutions.

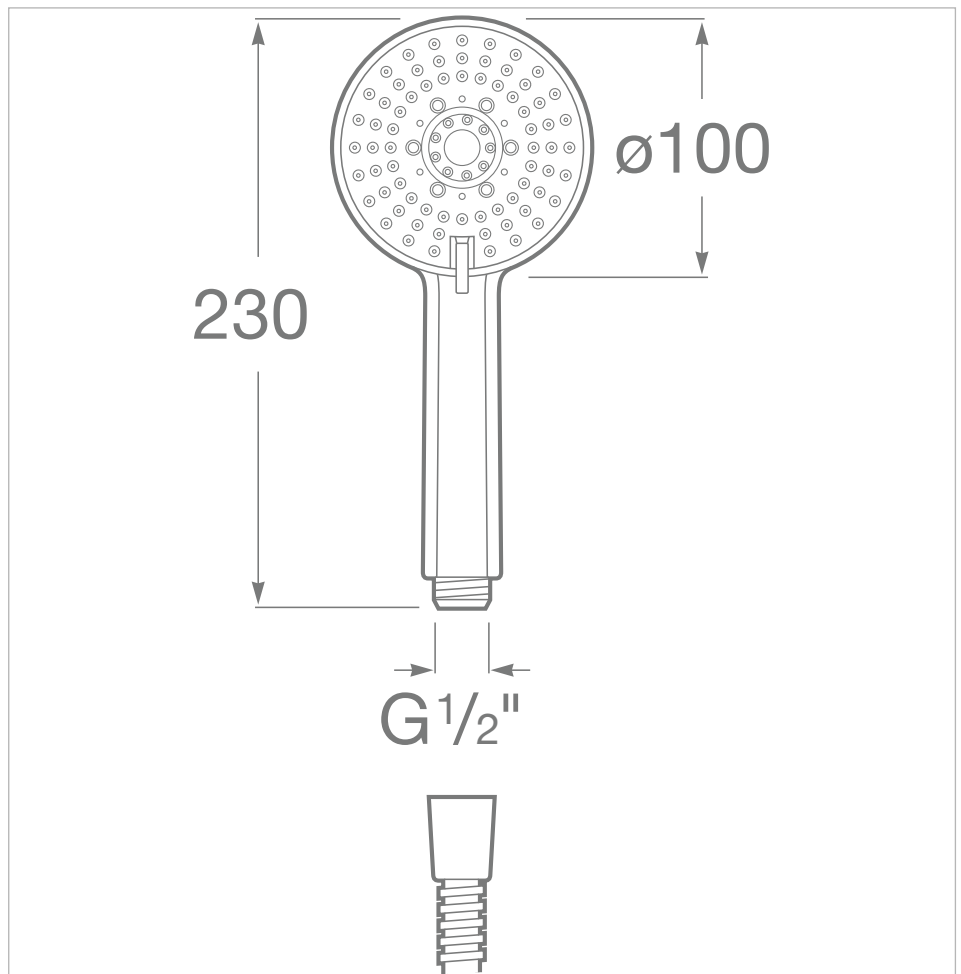
Dimensions

Length: 305 mm.
 Width: 100 mm.
 Height: 40 mm.

Compatible with

- 5A066E..0 Built-in bath-shower mixer with automatic diverter and 2 outlets
- 5A226E..0 Built-in bath or shower mixer with 1 outlet
- 5A2K18C00 Built-in thermostatic bath-shower mixer (2 ways) with automatic diverter. Includes the built-in subset and the trim plate
- 5A2M18C00 Built-in thermostatic shower mixer (1 way). Includes the built-in subset and the trim plate

Technical drawings



Stella



Neo-Flex

1.70 m. anti-torsion metallic shower hose



Maximum flexibility. Integration, elegance and easily adaptable to any space. This collection is an absolutely essential part of a lively, practical and versatile bathroom.

Dimensions

Length: 1700 mm.

Compatible with

5A2K18C00 Built-in thermostatic bath-shower mixer (2 ways) with automatic diverter.

Includes the built-in subset and the trim plate

5A2M18C00 Built-in thermostatic shower mixer (1 way). Includes the built-in subset and the trim plate

Aqua

ROUND - 1/2" chromed water inlet for shower hose with integrated bracket for hand shower



Wall bracket included

This collection is a design proposal that blends into the bathroom space, where a great deal of thought has been given to the principles of saving, sustainability and integration in the technological conception of each item.

Dimensions

Length: 95 mm.

Width: 70 mm.

Height: 70 mm.

Compatible with

5A066E..0 Built-in bath-shower mixer with automatic diverter and 2 outlets

5A226E..0 Built-in bath or shower mixer with 1 outlet

5A2K18C00 Built-in thermostatic bath-shower mixer (2 ways) with automatic diverter.

Includes the built-in subset and the trim plate

5A2M18C00 Built-in thermostatic shower mixer (1 way). Includes the built-in subset and the trim plate