

In-Wall



Systems that combine efficiency and technology to deliver the best performance.

EP1 - Electronic glass finished operating plate for concealed cistern with automatic or touchless dual flush and adjustable light in multiple colour choice

Number of buttons: 2
Recommended for public spaces

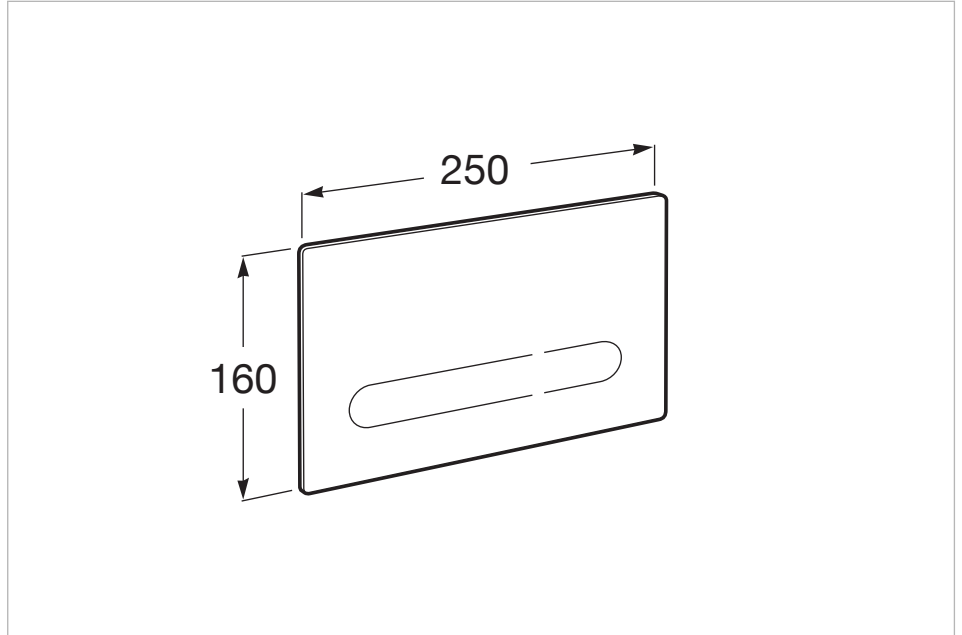
Dimensions

Length: 250 mm.
Height: 160 mm.

Compatible with

890090800 DUPLO SMART WC - Concealed structure for Smart Toilets with dual flush cistern
890090700 DUPLO WC FREESTANDING - Concealed free-standing structure with dual flush cistern (6/3 L)
890090200 BASIC TANK - Concealed cistern with dual flush (6/3 L)
890090120 BASIC WC - Concealed structure with dual flush cistern (6/3 L)
890090020 DUPLO WC - Concealed structure for toilet with dual flush cistern (6/3 L)

Technical drawings



In-Wall

