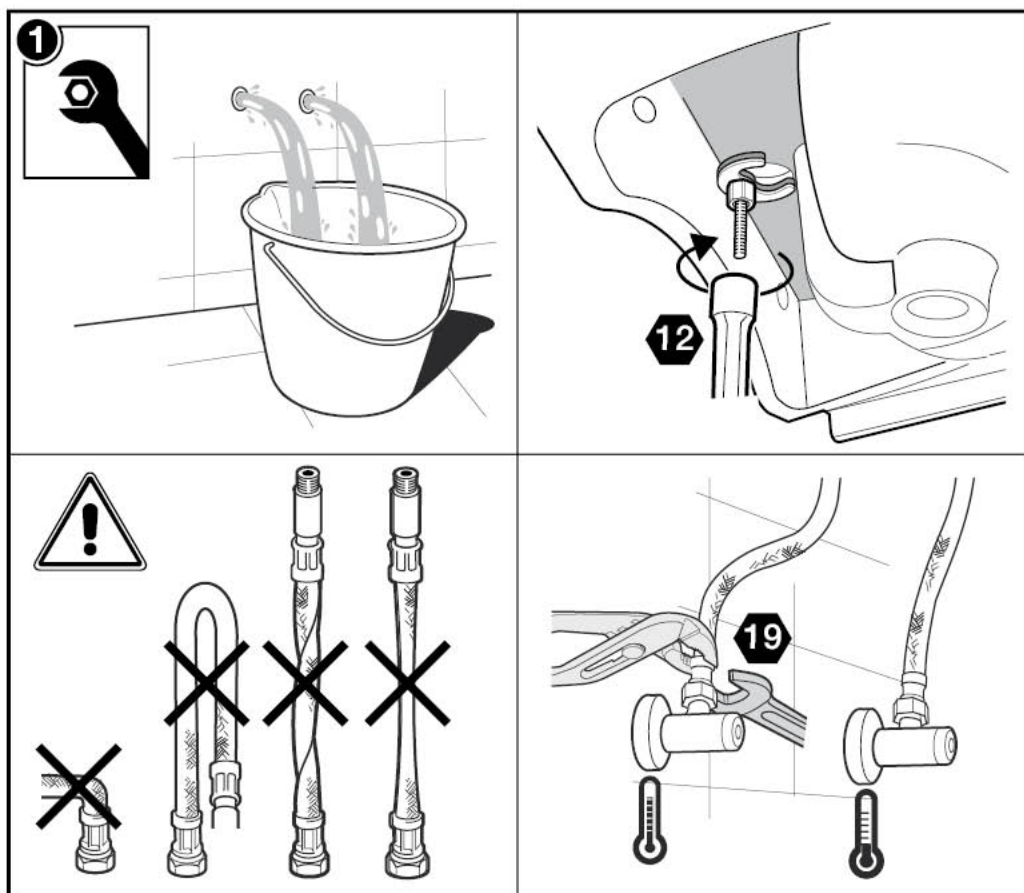

















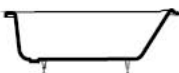


**Roca**

**LANTA**





 <b>P</b> 	P bar	 MAX 10	
 <b>P</b> 	P bar	MIN 1  5 MAX	 3 2 
  <b>T</b>	°C	 80 MAX.	 65 50 
 <b>Q</b> (3 bar)	l/min	 5	 20



A5A3011

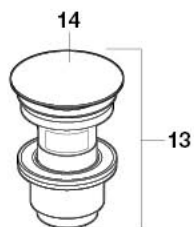
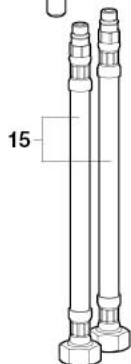
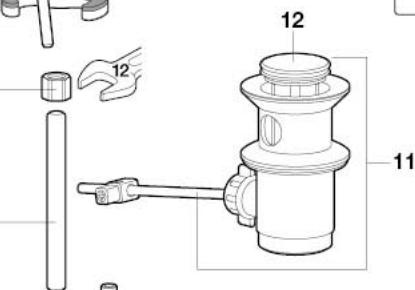
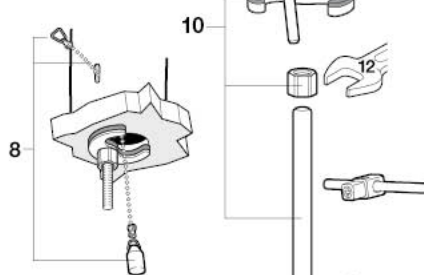
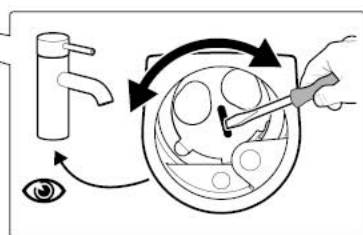
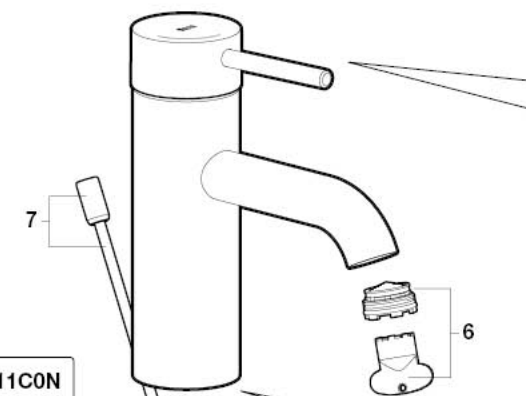
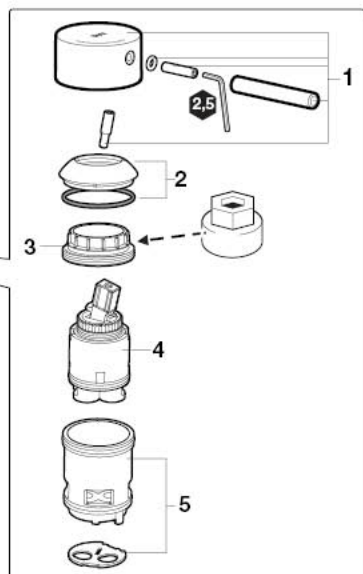
A5A3A11

A5A3111

A5A3411

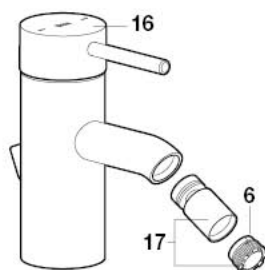
A5A3C11

A5A3D11



A5A6111

A5A6011

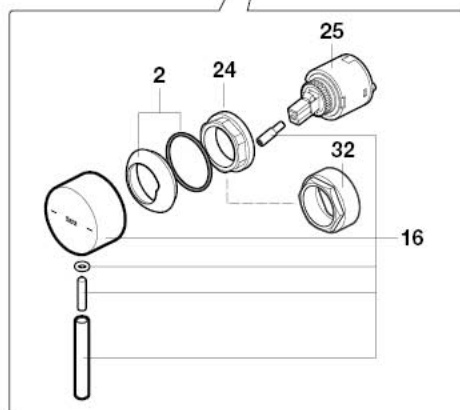
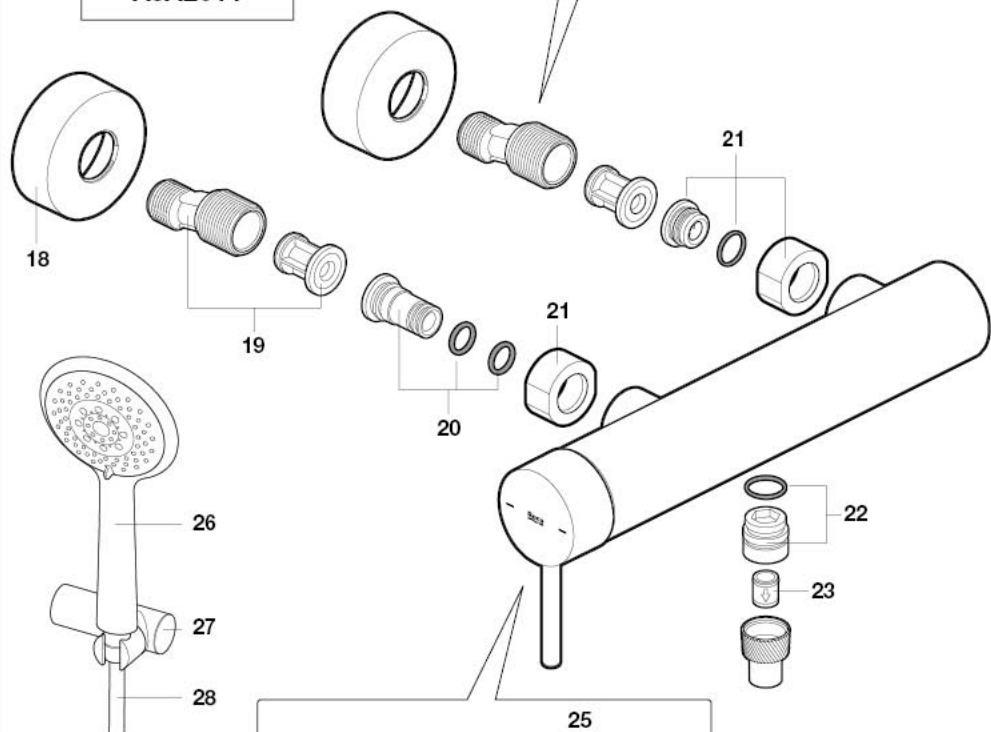
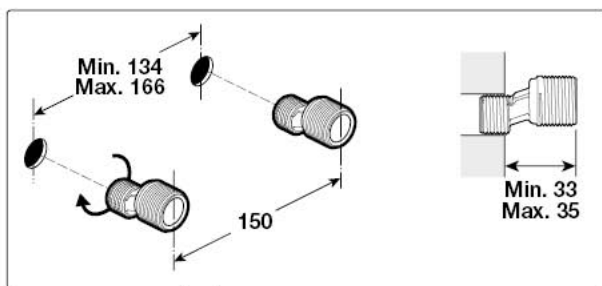


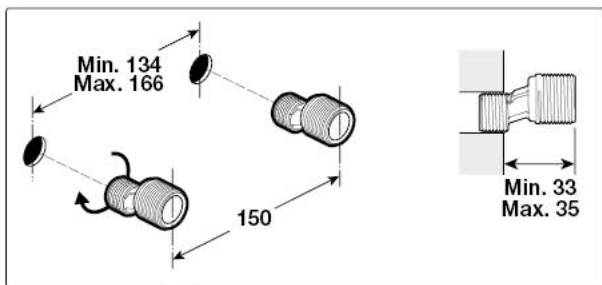


3

A5A2111

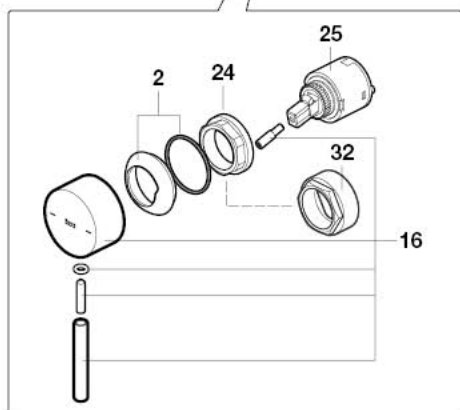
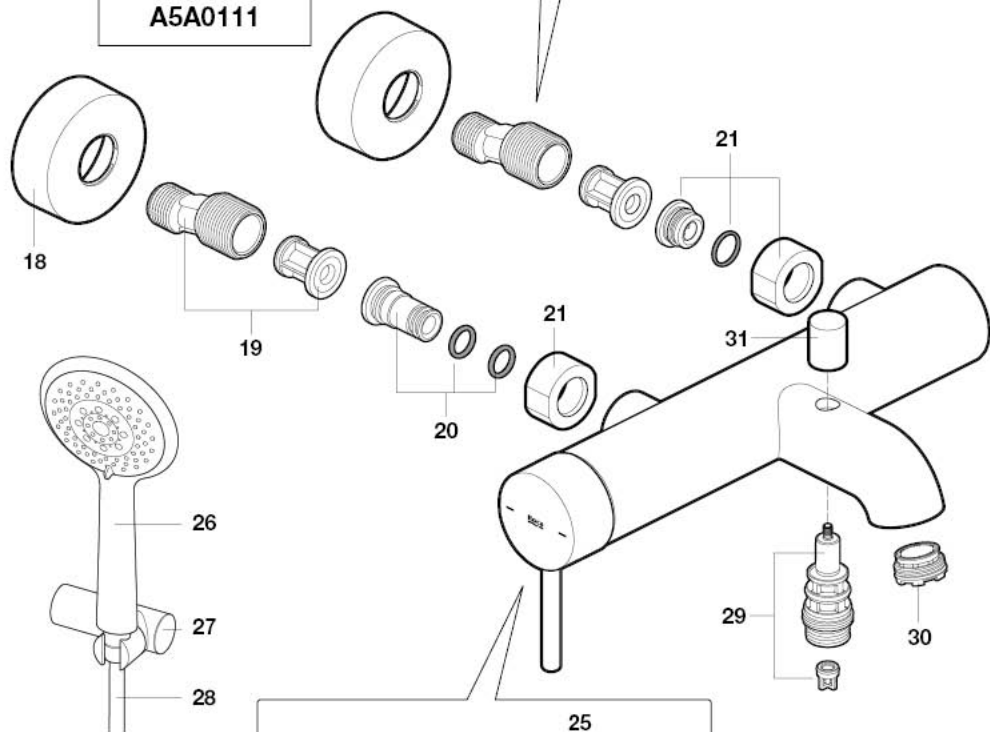
A5A2011





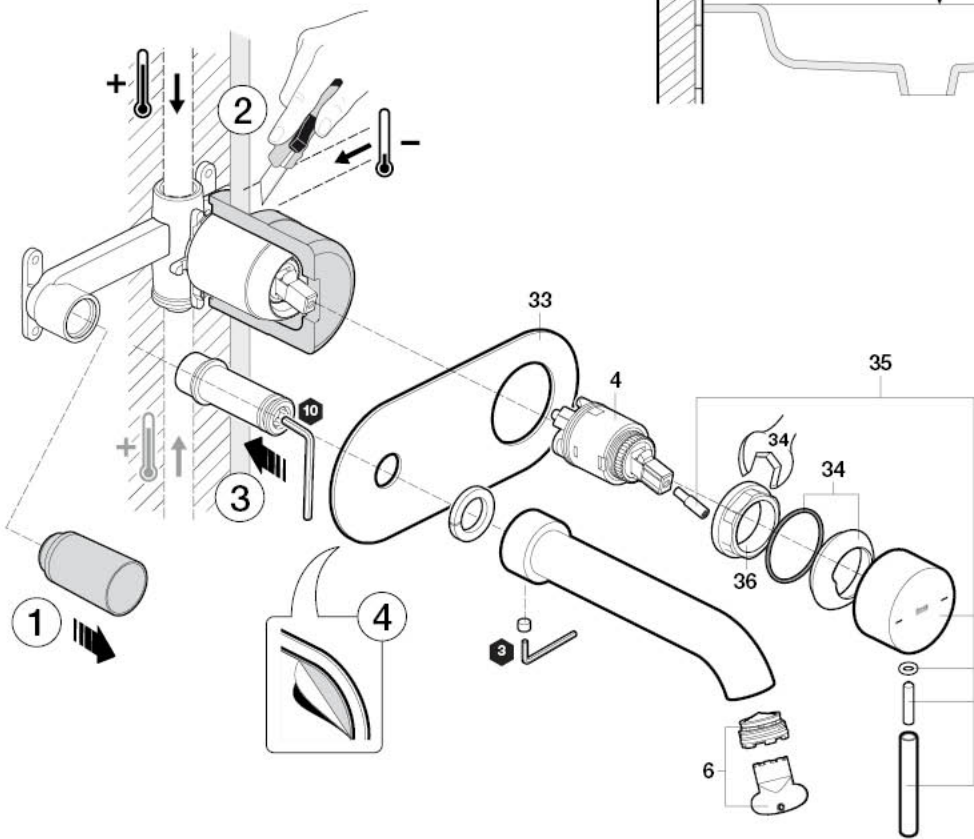
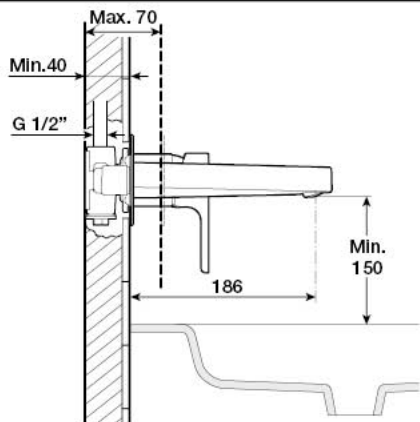
A5A0211

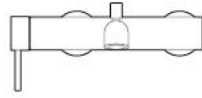
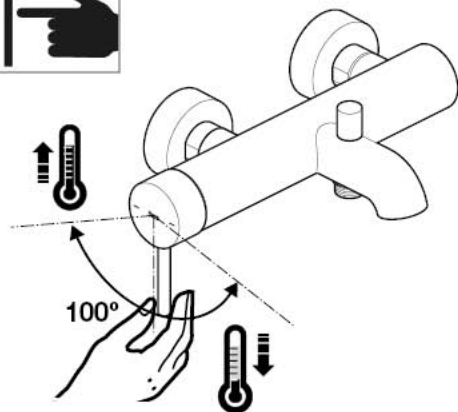
A5A0111





**A5A3511**

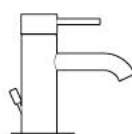
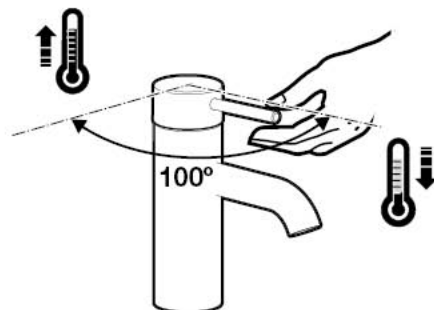




0%



100%



0%



100%

1	AG0125600R	
2	AG0121500R	
3	A525023507	
4	A525005007	
5	AG0116200R	
6	AG0125707R	
7	AG0002100R	
8	A525004600	
9	AG0125800R	
10	A525004403	
11	AG0075300R	
12	AG0096200R	
13	A505400000	
14	AG0077100R	
	x 2	AG0096409R D10x3/8" F L-470
	x 2	AG0126009R D10x1/2" F L-470
15	x 2	AG0096509R D10x3/8" F L-600
	x 2	AG0125909R D10x1/2" F L-600
16	AG0121400R	
17	AG0126100R	

18	AG0116800R
19	AG0103908R
20	AG0126203R
21	A525005200
22	A525024200
23	A525005507
24	AG0126303R
25	AG0110607R
26	A5B1107C07
27	AG0068500R
28	A525009800
29	AG0116500R
30	A525087607
31	AG0126400R
32	A522910803
33	
34	
35	
36	

